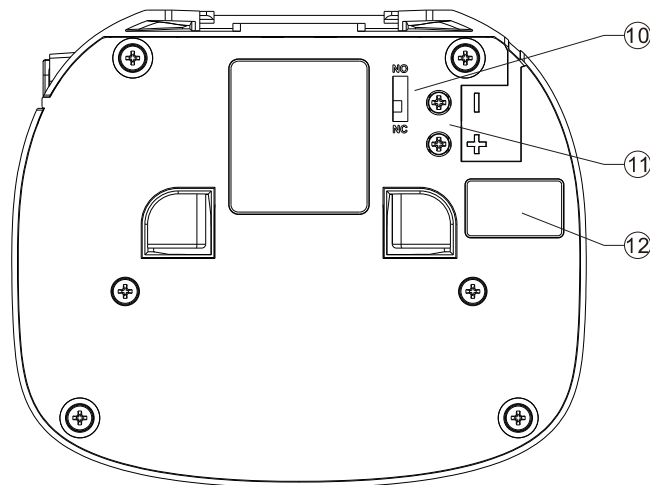
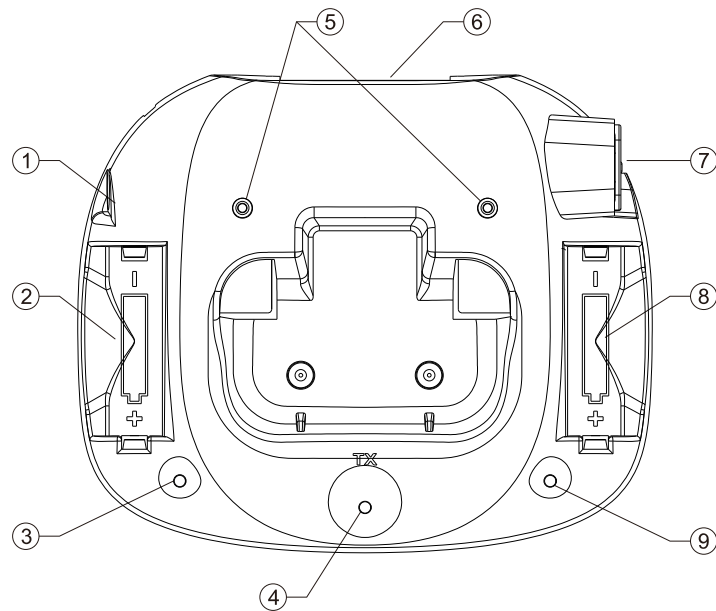
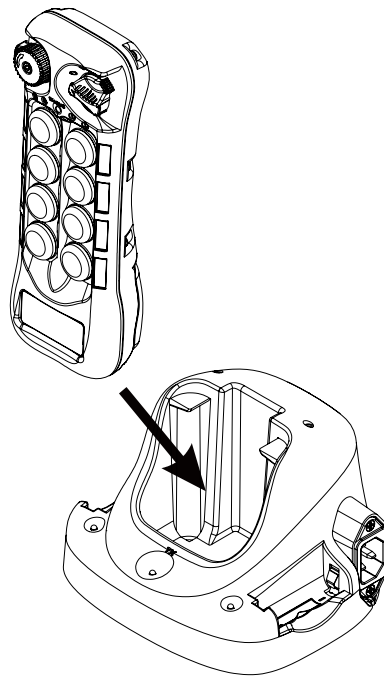


Flex EX2 Charging Instructions

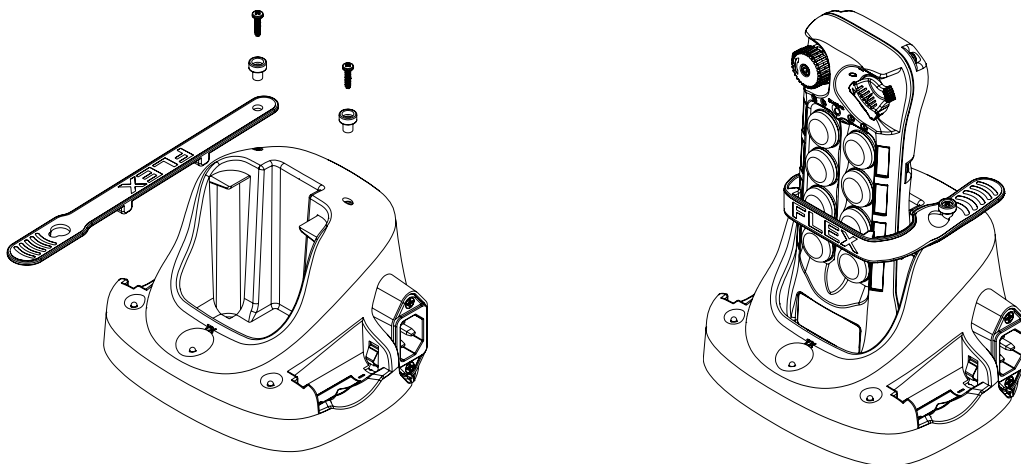


- | | |
|---|---|
| 1) DC power cord input | 7) AC power cord input |
| 2) "AA" rechargeable battery slot-A | 8) "AA" rechargeable battery slot-B |
| 3) Battery slot-A LED charging indication | 9) Battery slot-B LED charging indication |
| 4) Transmitter LED charging indication | 10) External light indicator NO/NC switch |
| 5) Rubber safety belt attachment slot | 11) External light indicator output |
| 6) Mounting bracket attachment slot | 12) External light indicator table |

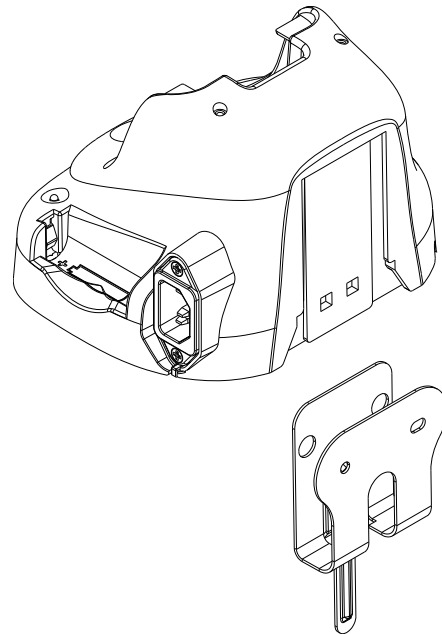
1) The transmitter is designed to accept any off-the-shelf Ni-MH rechargeable batteries. When charging both transmitter and individual batteries at the same time the priority always goes to the transmitter charging. The individual battery charging begins only after the transmitter charging is completed. Depending on the battery capacity the average charging time is approximately 3 hours from completely drained to fully charged. Constant red on the LED represents charging in progress, constant green represents batteries fully charged, and LED off represents no batteries detected. Please do not use any rechargeable lithium ion batteries as it will damage both the transmitter and the charging station.



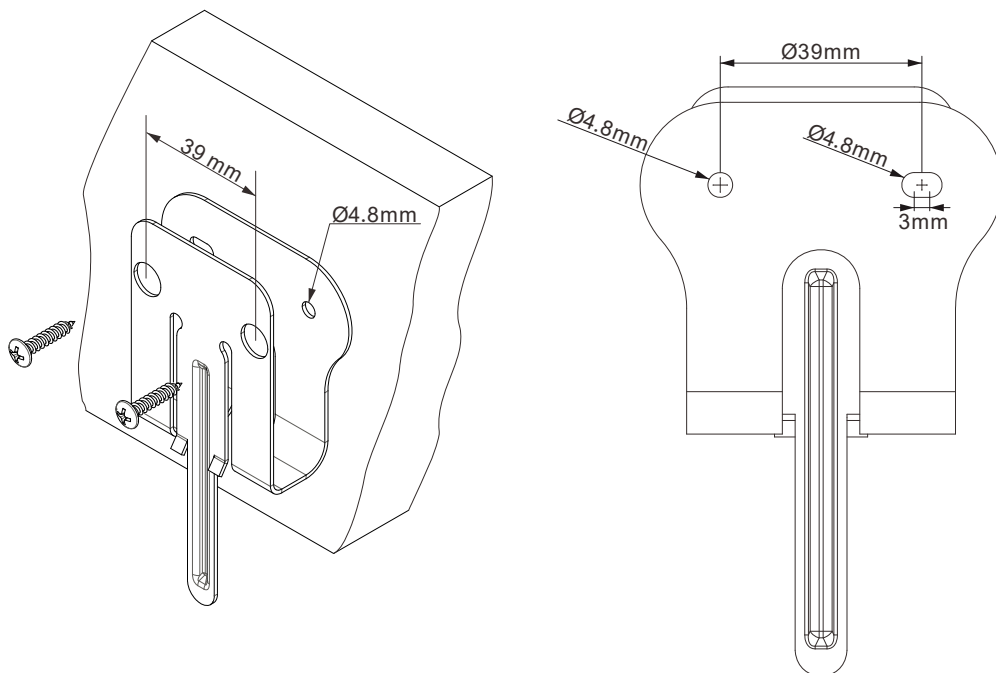
2) For mobile application the optional rubber safety belt can be used to prevent transmitter from dropping out of the charging station when the vehicle encounters bumpy road condition (optional).



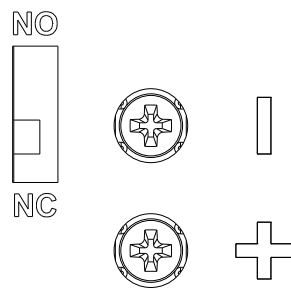
3) If mounting bracket is used (optional), slide down the charging station along the guided track to secure the charging station to the mounting bracket. Remove the charging station by pressing down the bracket release and pull the charging station upward until it clears the guided track.



4) Mounting bracket screw hole distance measurements.



5) External light indication can be used to remind the user whether the transmitter is situated on the charging station or not. Connect the two wires from the external light indicator to the “+” and “-“ screw-type connectors. The charging station feeds 12VDC through this external light indicator output with 12VDC power input, feeds 24VDC with 24VDC power input and feeds 12VDC with 110~240VAC power input. Make sure the required voltage of the external light indicator used is same as specified. Set to normal open (NO) for lights ON when transmitter is situated on the charging station and normal close (NC) for lights ON when transmitter is not situated on the charging station.



INPUT	OUTPUT
12VDC	12VDC
24VDC	24VDC
100~240VAC	12VDC