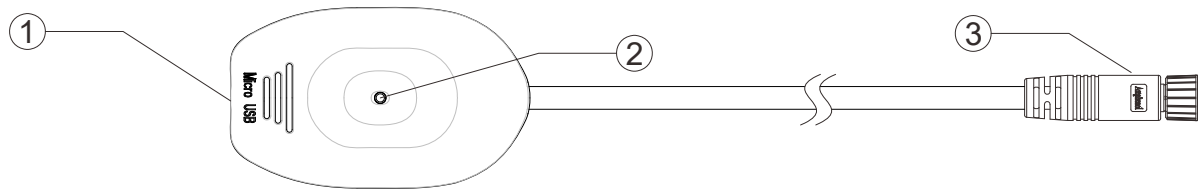
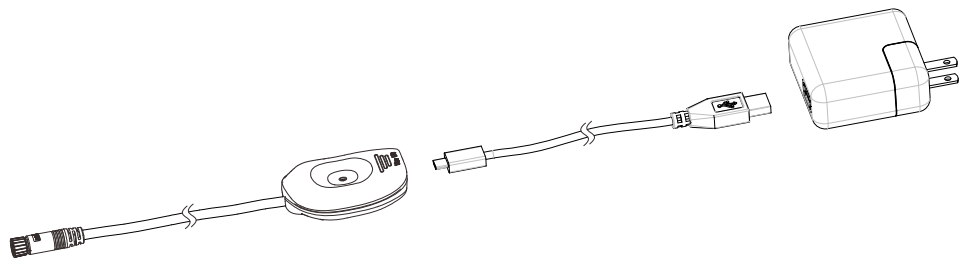


Flex EX2 Plugin Charging Instructions

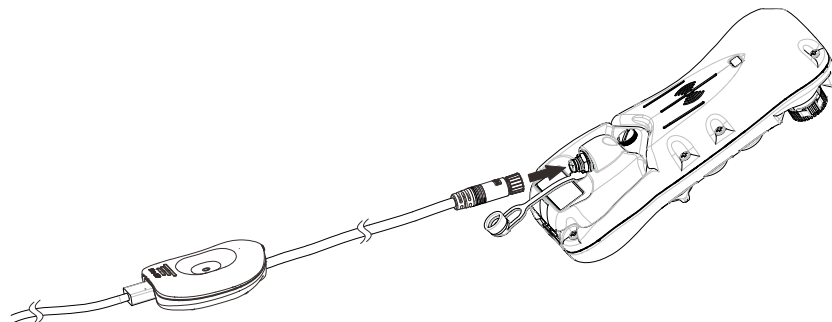


- 1) Power USB Input 2) Charging Status LED 3) Charging Plug

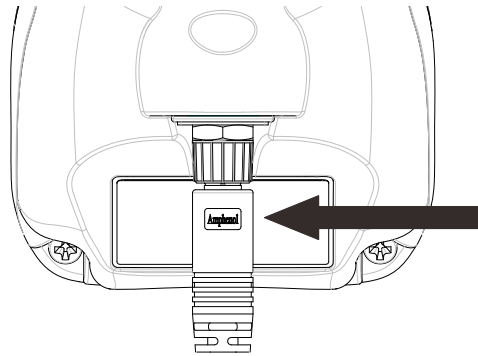
- 1) The plugin charger station uses any off-the-shelf Micro USB-to-USB cable and USB power adaptor with 5V@2A output (not included).



- 2) Connect the charging plug onto the charging connector on battery cover.



- 3) Make sure the marking on the charging plug (see below) is facing the top side when connecting.



- 4) The transmitter is designed to accept any off-the-shelf Ni-MH rechargeable batteries. Depending on the battery capacity the average charging time is approximately 1.5 hours from completely drained to fully charged. Constant red on the LED represents charging in progress, constant green represents batteries fully charged, and LED off represents no batteries detected. Please do not use any rechargeable lithium ion batteries as it will damage both the transmitter and the charging station.