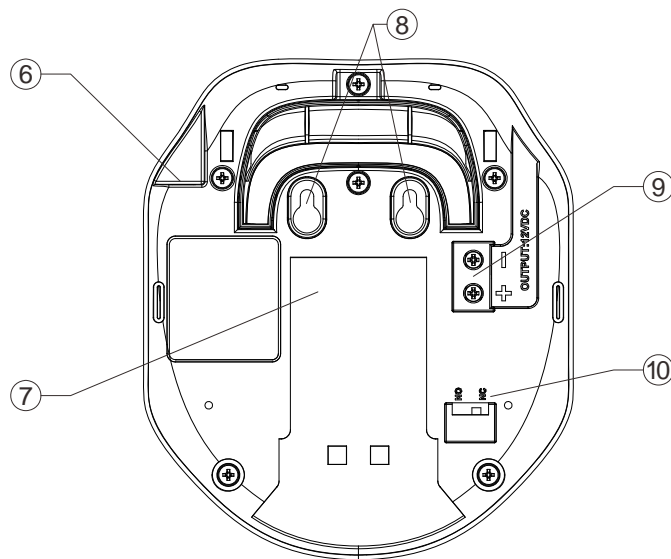
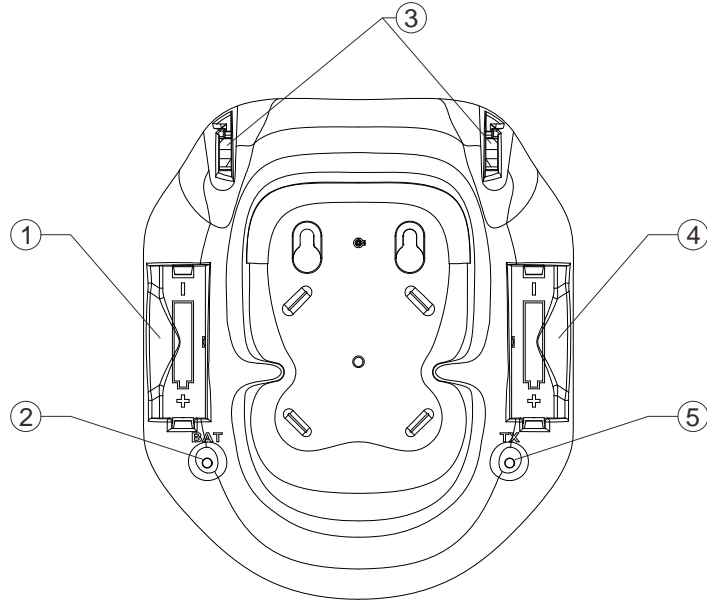
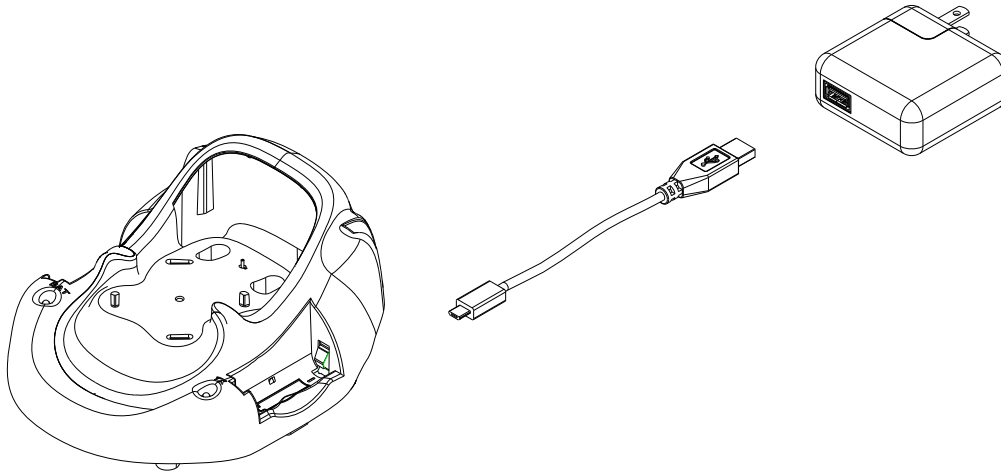


Flex EX2 Wireless Charging Instructions

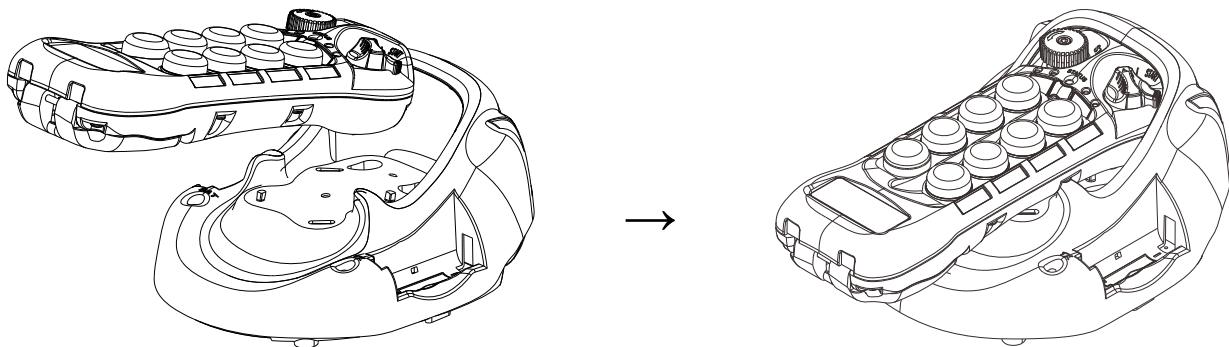


- | | |
|---|---|
| 1) "AA" rechargeable battery slot-A | 6) USB power cable input |
| 2) Individual battery charging indication | 7) Mounting bracket attachment slot |
| 3) Safety bracket slot (optional) | 8) Wall mounting holes |
| 4) "AA" rechargeable battery slot-B | 9) External light indicator output |
| 5) Transmitter charging indication | 10) External light indicator NO/NC switch |

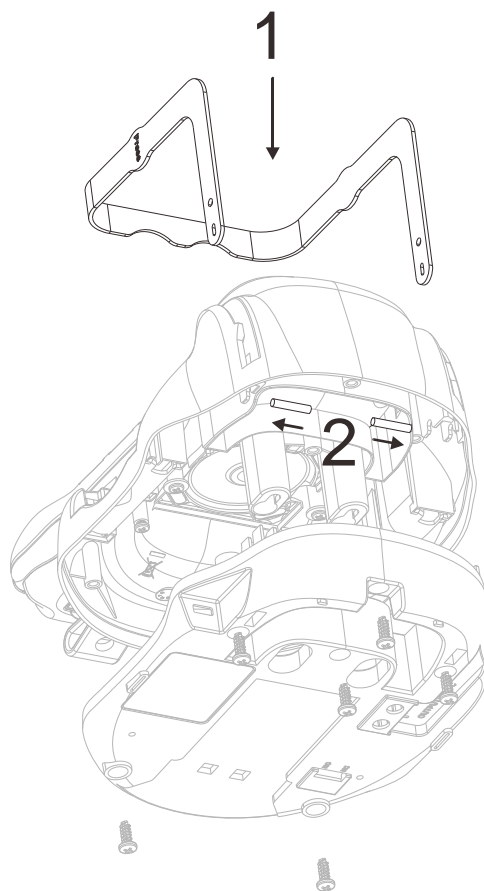
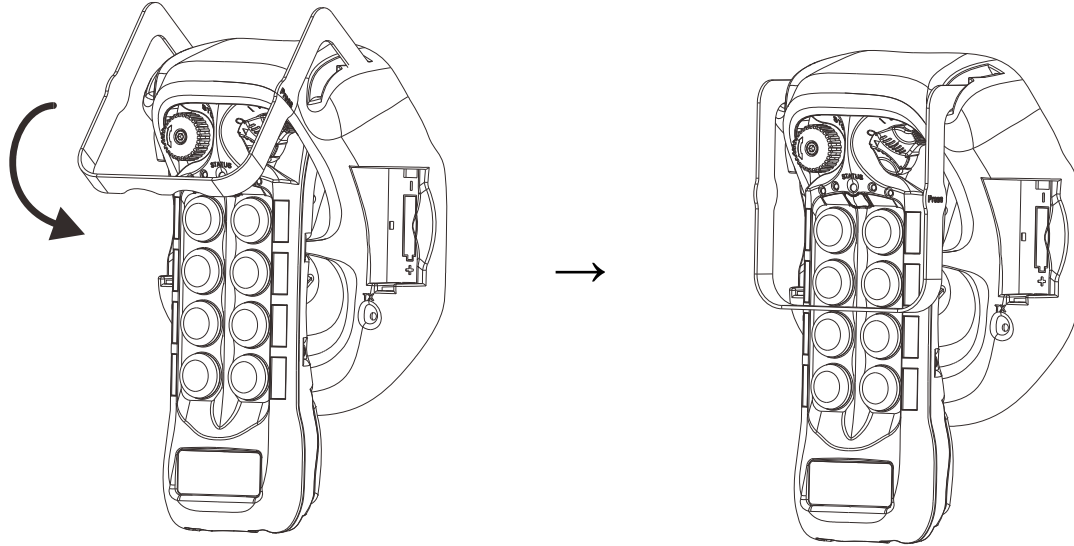
1) The wireless charging station uses any off-the-shelf Micro USB to USB cable and USB power adaptor with 5V @ 12W/2.4A input (not included).



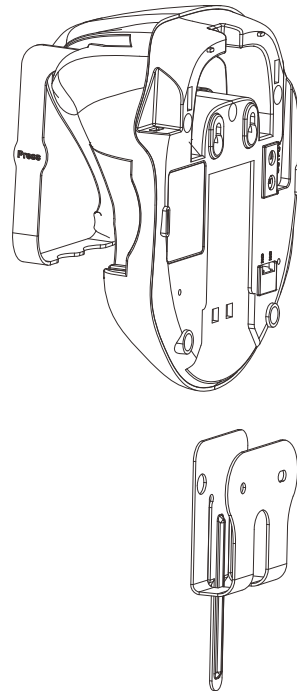
2) The transmitter is designed to accept any off-the-shelf Ni-MH rechargeable batteries. The charging begins 10 seconds after placing the transmitter onto the charging station (constant red on TX LED). When charging both transmitter and individual batteries at the same time the priority always goes to the transmitter charging. The individual battery charging begins only after the transmitter charging is completed. Depending on the battery capacity the average charging time is approximately 4.5 hours from completely drained to fully charged. Constant red on both TX and BAT LED indication represents charging in progress, constant green represents batteries fully charged, and LED off represents no transmitter or batteries detected. Please do not use any rechargeable lithium ion batteries as it will damage both the transmitter and the charging station.



3) For wall mounting the optional metal safety bracket can be used to prevent transmitter from dropping out of the charging station (optional).



4) If mounting bracket is used (optional), slide down the charging station along the guided track to secure the charging station to the mounting bracket. Remove the charging station by pressing down the bracket release and pull the charging station upward until it clears the guided track.



5) External light indication can be used to remind the user whether the transmitter is situated on the charging station or not. Connect the two wires from the external light indicator to the “+” and “-” screw-type connectors. The charging station feeds 12VDC through this external light indicator output. Make sure the required voltage of the external light indicator used is same as specified. Set to normal open (NO) for lights ON when transmitter is situated on the charging station and normal close (NC) for lights ON when transmitter is not situated on the charging station.

