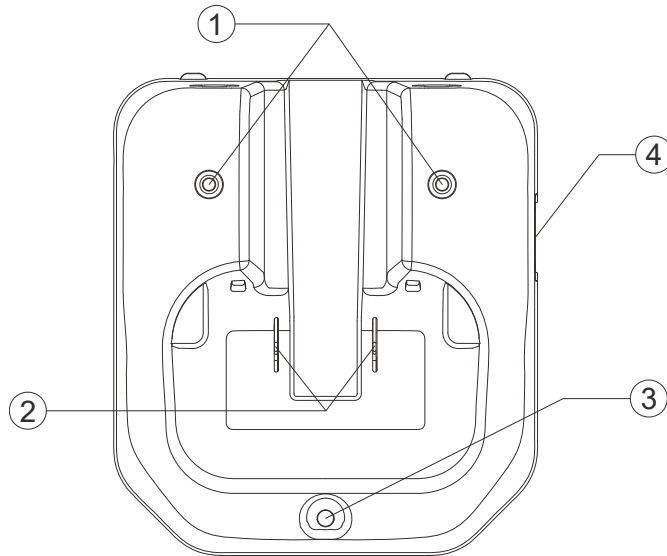


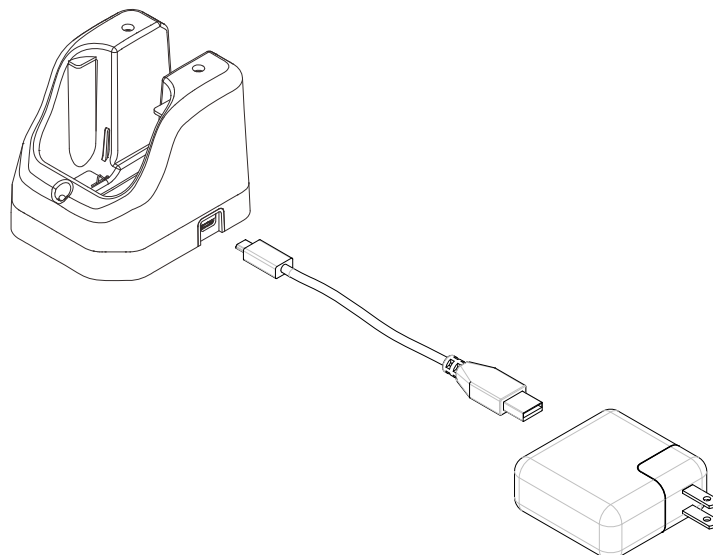
Flex HANDY

Charging Instructions

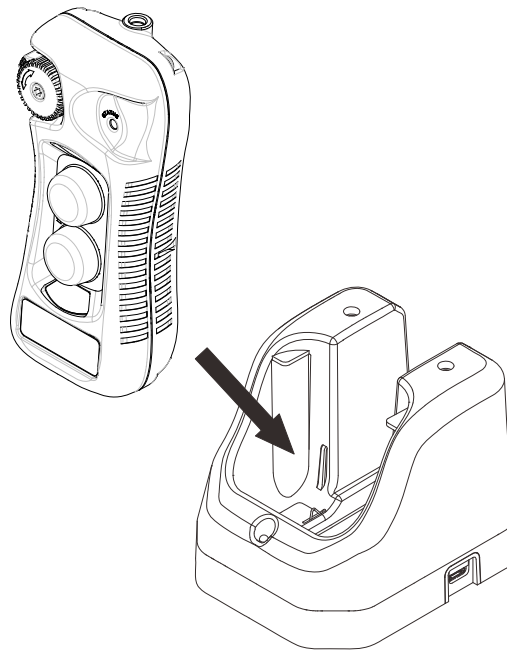


- | | |
|---------------------------------------|------------------------|
| 1) Rubber safety belt attachment slot | 3) Charging Status LED |
| 2) Charging Contacts | 4) Power USB Input |

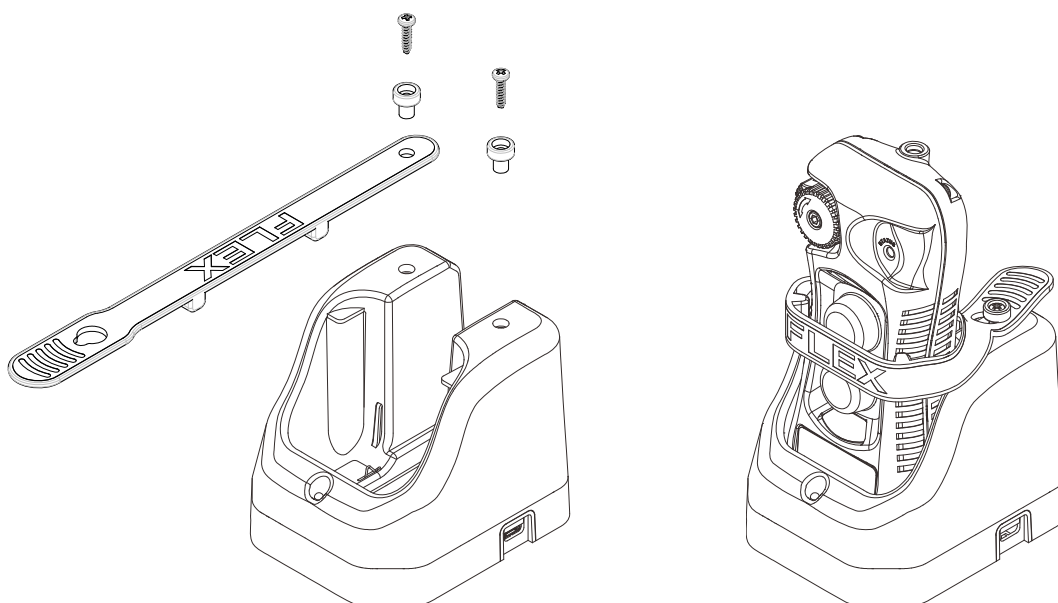
- 1) The charging station uses any off-the-shelf Micro USB-to-USB cable and USB power adaptor with 5V@2A output (not included).



- 2) The transmitter is designed to accept any off-the-shelf Ni-MH rechargeable batteries. Depending on the battery capacity the average charging time is approximately 1.5 hours from completely drained to fully charged. Constant red on the LED represents charging in progress, constant green represents batteries fully charged, and LED off represents no batteries detected. Please do not use any rechargeable lithium ion batteries as it will damage both the transmitter and the charging station.



- 3) For mobile application, the optional rubber safety belt can be used to prevent transmitter from dropping out of the charging station when the vehicle encounters bumpy road condition (optional).



4) Wall mounting screw hole distance measurements.

