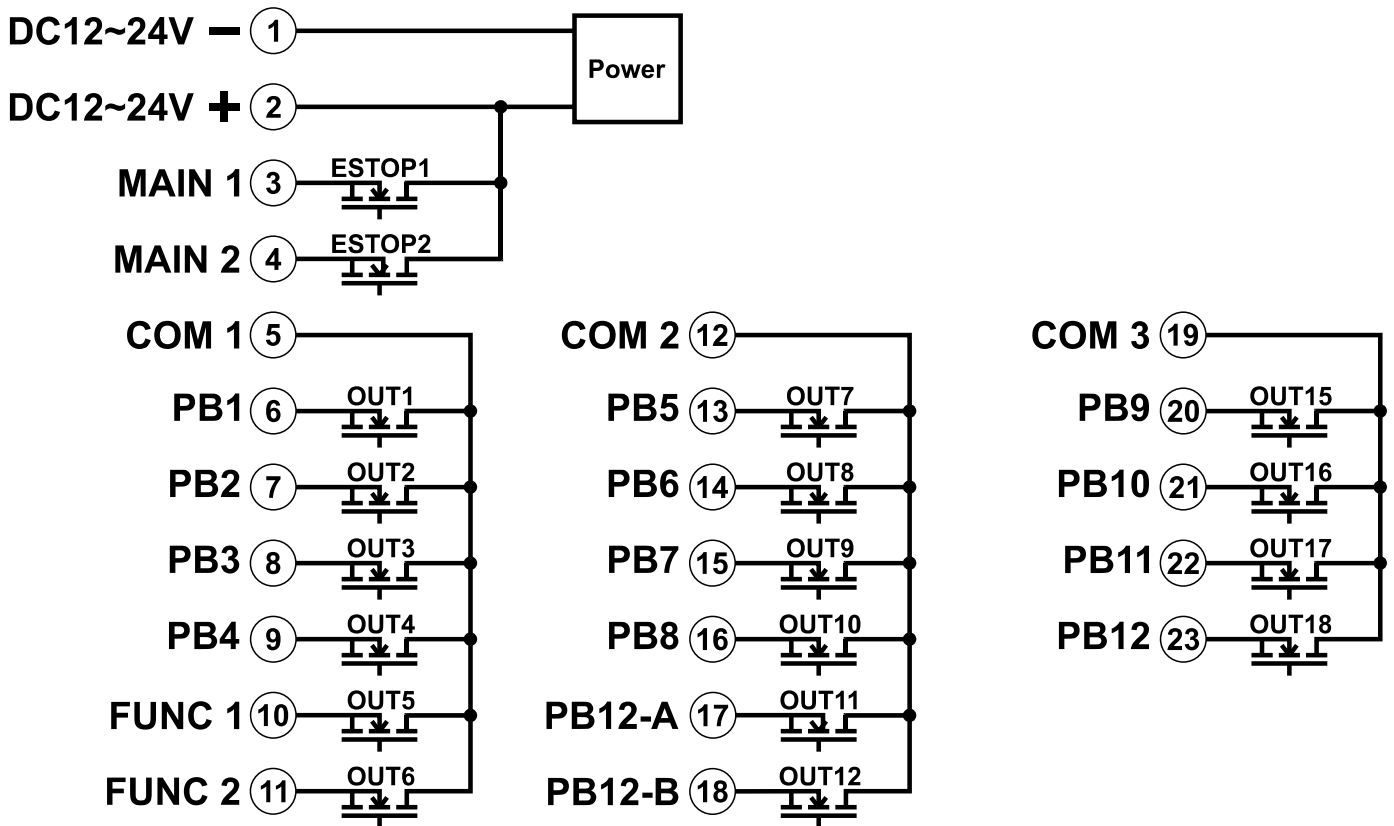


Flex 12EPH Wiring Diagram



* COM-1, COM-2 and COM-3 input voltage range: DC 12~24V.

* Transmitter equipped with A/B/A+B rotary switch on PB12 position: Connect A output to wire #17 and B output to wire #18.