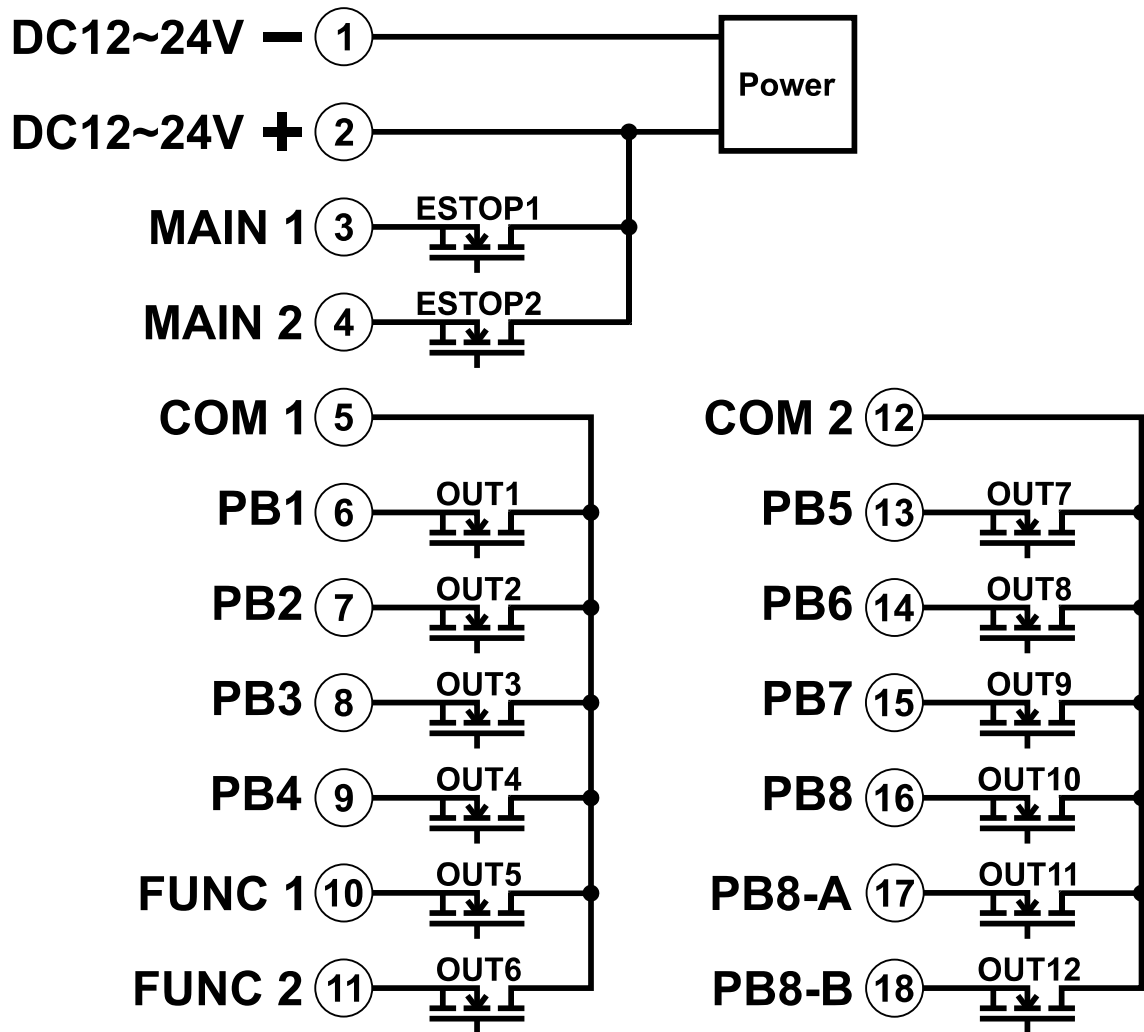


Flex 8EPH Wiring Diagram



* COM-1 and COM-2 input voltage range: DC 12~24V.

* Transmitter equipped with A/B/A+B rotary switch on PB8 position: Connect A output to wire #17 and B output to wire #18.