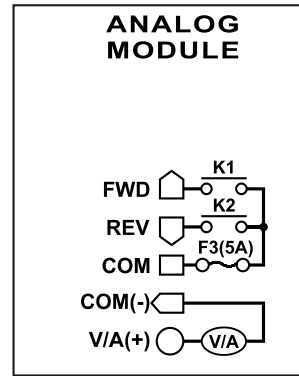
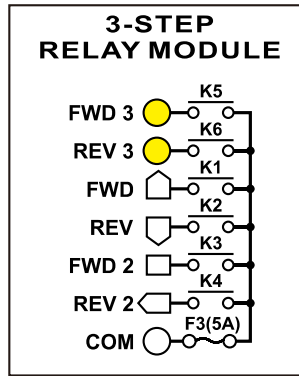
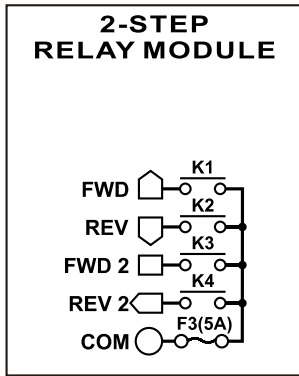
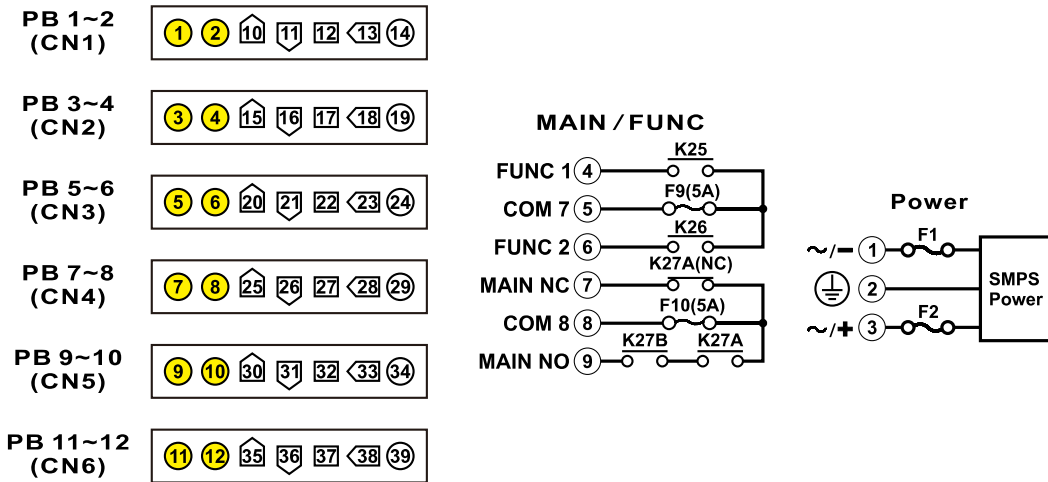
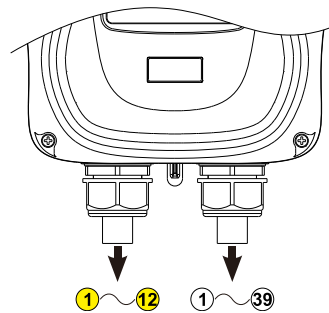
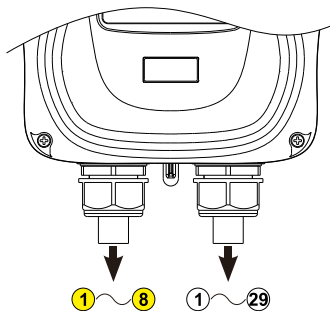


Flex EPV Wiring Diagram



Flex 8EPV Cable Wire Arrangement

Flex 12EPV Cable Wire Arrangement



- FWD-3 and REV-3 motions on 3-step relay module.
- ⌣ FWD motion on 2-step / 3-step relay modules and analog module.
- ⌣ REV motion on 2-step / 3-step relay modules and analog module.
- FWD-2 motion on 2-step / 3-step relay modules and FWD/REV COM on analog module.
- ⌣ REV-2 motion on 2-step / 3-step relay modules and V/A COM (-) on analog module.
- COM for 2-step / 3-step relay modules and V/A (+) on analog module.

* For 9~36VDC power supply, wire #1 corresponds to the negative charge (-) and wire #3 corresponds to the positive charge (+). Wire #2 or green/yellow wire is for AC ground.