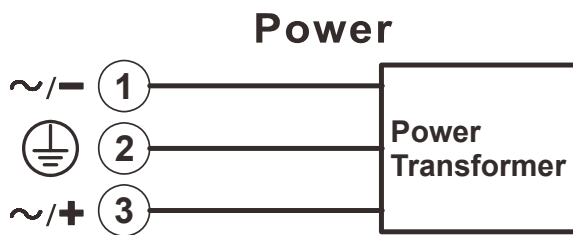
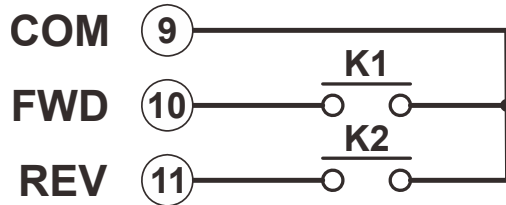
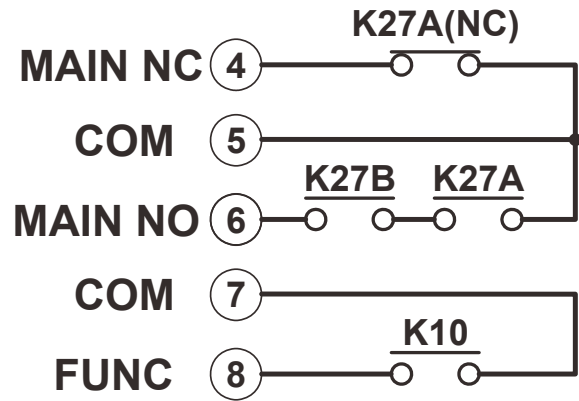


# Flex HANDY 2S Wiring Diagram

## PUSH BUTTON 1~2



## MAIN / FUNC



\* For 9~36VDC power supply, wire #1 corresponds to the negative charge (-) and wire #3 corresponds to the positive charge (+). Wire #2 or green/yellow wire is for AC ground.